



Thank you for choosing PROJOY products.
Please read carefully before installation.

PROJOY
electric

– *Switch To Safety!* –

PROJOY PEAS50-N

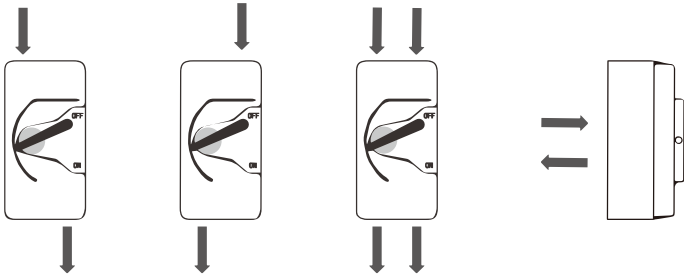
ROCKER TYPE AC ISOLATOR SERIES

Instructions for use of 20A, 35A and 63A

Enclosure AC Isolator

WIRING

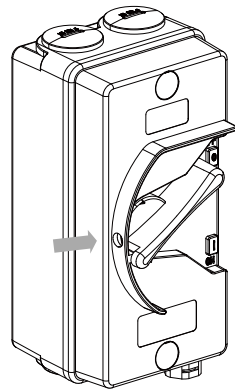
Wire in the direction indicated by the arrow.



LOCKING OPERATION

Turn the switch to the "OFF" position and lock the cage through the keyhole with a suitable tool.

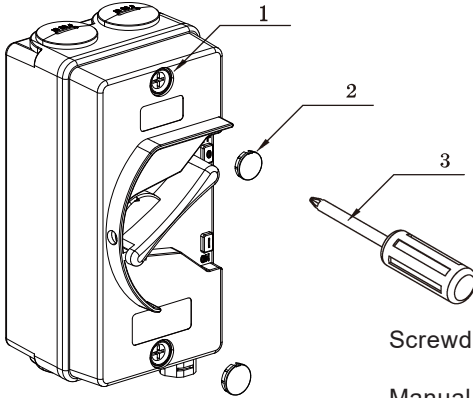
* The maximum diameter of the padlock is 6mm.



APPLICATION

- Motor isolator safety switches
- Motor disconnectors
- Air conditioning isolators
- The AC isolators PV inverters

CLOSE THE CASE



Use "(3) screwdriver" to lock "(1) connecting screw" to the outer box; then press "(2) hole plug" gently to complete.

Screwdriver specification: PH2

Manual Tightening Torque: 14 kgf.cm

SPECIFICATIONS

Pole Configuration:	Single, double, triple.		
Rated Current:	20A, 35A, 63A (single, double, triple)		
Rated Voltage:	250V a.c. (Single) 440V a.c. (Double, Triple)		
Overall Dimensions:	175.0mm (H) x 84.0mm (W) x 87.0mm (D)		
Conduit Entries:	4 x M25		
Maximum Cable Size:	Phase connections up to 25mm ² cable E and N 16mm ² cable		
Type Tested to:	EN 60947-3, AS/NZS 60947.1&3 AC-22A IP66		
Contacts Wiring Diagram:	Single	Double	Triple

PROJOY
electric
- Switch To Safety! -

Projoy Electric Co., Ltd.

XinTang Industrial Zone, PingJiang District, Suzhou, China

Tel : +86 512 6878 6489

Fax: +86 512 6878 6489

Web: www.projoy-electric.com

E-mail: sales@projoy-electric.com