



Thank you for choosing PROJOY products.
Please read carefully before installation.

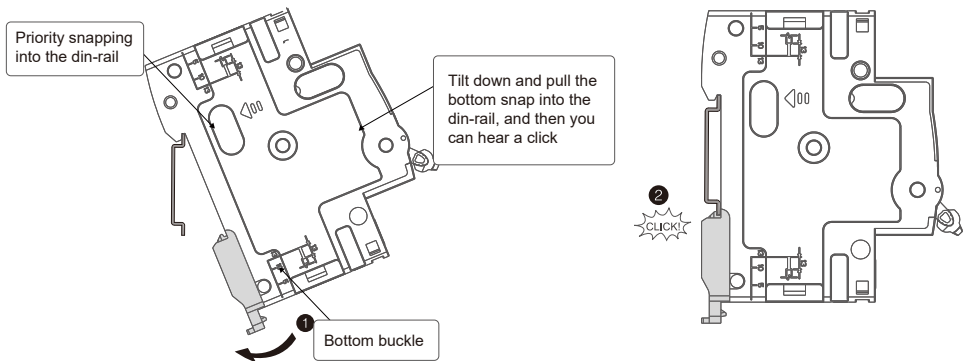
PROJOY
electric

— *Switch To Safety!* —

PEBS INSTRUCTIONS FOR INSTALLATION AND OPERATION

INSTALLATION

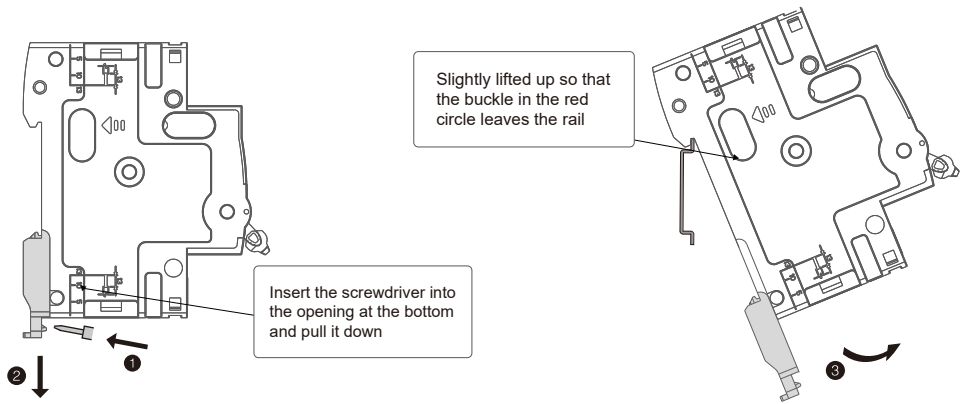
PROJOY PEBS products are mounted on standard din-rails and are suitable for 35mm standard din-rail installation. No additional tools are required for installation. Simply push the product into the guide rail. For operation, please hang the hook at the top of the bottom into the guide rail to make the product 30°. Then, press the product diagonally downwards to snap the product into the guide rail, and the final product will be vertical as shown in the right figure.



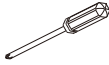



DISASSEMBLY

PROJOY PEBS products are quick-release design and can be easily disassembled with a single screwdriver. The details are as follows:

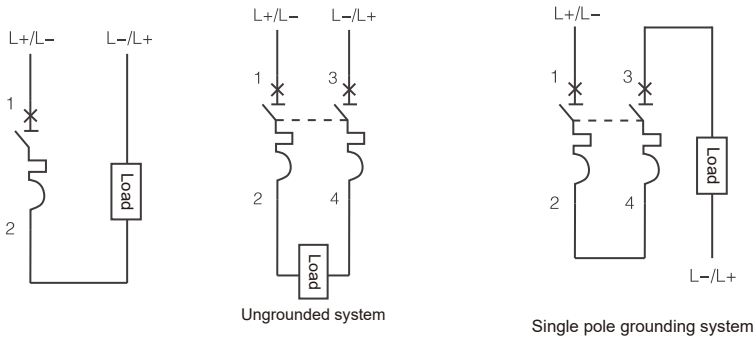
First insert the screwdriver into the opening at the bottom of the product buckle, use the product as a fulcrum, and then withdraw the buckle downward. When you hear a click, the buckle will automatically stop at the fixed position, and the product is separated from the guide rail. The bottom of the product is first separated from the guide rail to form an angle of about 30°, and then slightly raised, and the upper hook is separated from the guide rail to take out the product.



WIRING ABILITY

Connection tool		2# screw driver 
Wiring capability(mm ²)		1.5-50mm ²
Tightening torque(Nm)		2-3.5Nm

WIRING CIRCUIT DIAGRAM



PROJOY
electric
- Switch To Safety! -

XinTang Industrial Zone, Pingjiang District, Suzhou, China
Tel : +86 512 6878 6489
Fax: +86 512 6878 6489
Web: www.projoy-electric.com
E-mail: sales@projoy-electric.com
sales